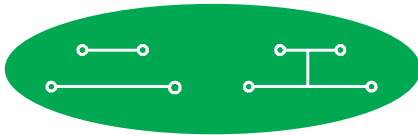
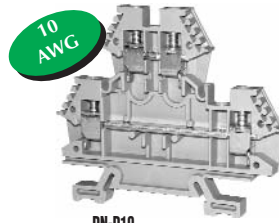


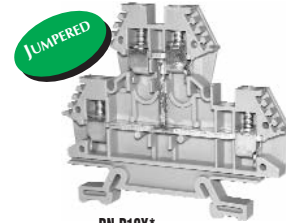
Double-level Terminal Blocks



Double-level terminal blocks offer twice the wiring density of feed-through blocks. The DN-D10X version is supplied with an internal jumper to common all four of its connection points.

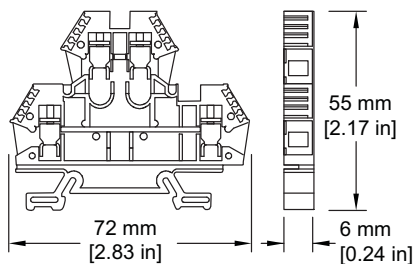


DN-D10
Series: EURO D4

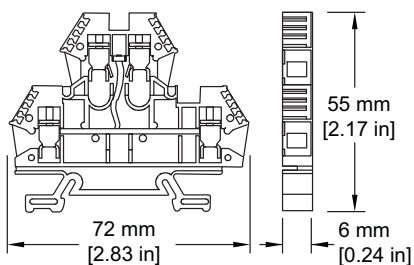


DN-D10X*
Series: EURO D4

DN-D10



DN-D10X



	Part #	Pcs/Pkg	Price/Pkg	Part #	Pcs/Pkg	Price/Pkg
Gray Term Block	DN-D10	50	<-->	DN-D10X	50	<-->
Blue Term Block	DN-D10B	50	<-->	-	-	-
Black Term Block	DN-D10BLK	50	<-->	-	-	-
Green Term Block	DN-D10GRN	50	<-->	-	-	-
Orange Term Block	DN-D10ORG	50	<-->	-	-	-
Red Term Block	DN-D10RED	50	<-->	-	-	-
Yellow Term Block	DN-D10YEL	50	<-->	-	-	-

Double-level Terminal Blocks Specifications

UL Approval*	600V	30A	24-10AWG	600V	30A	24-10AWG
CSA Approval	600V	25A	18-12AWG	600V	25A	18-12AWG
VDE Approval	750V	35A	4mm ²	750V	35A	4mm ²
CE Conformity	CE 23/20, CE 23/21			CE 23/20, CE 23/21		
Agency File #	E179129, LR84816			E179129, LR84816		
Wire Strip Length	0.39" (10mm)			0.39" (10mm)		
Tightening Torque	5.5 lb-in. (0.6Nm)			5.5 lb-in. (0.6Nm)		
Density	50 pcs./ft. (166/m)			50 pcs./ft. (166/m)		
Operating Temperature	Ambient air temperature: -13°F to 104°F (-25°C to 40°C) Relative humidity: 50% max at 104°F (40°C); 90% max at 68°F (20°C)					

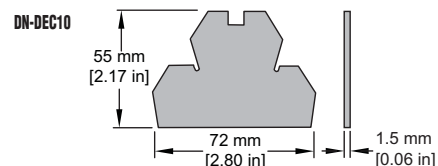
Accessories

	Part #	Pcs/Pkg	Price/Pkg	Part #	Pcs/Pkg	Price/Pkg
35 mm DIN Rail	ADC Part No. DN-R35S1 (7.5 mm) or DN-R35HS1 (15 mm)			10 various		
End Bracket	DN-EB35			50 <-->		
	DN-EB35MN			20 <-->		
	DN-EB35-A			50 <-->		
	DN-QEB35			50 <-->		
End Cover	DN-DEC10			50 <-->		
Jumpers	/ 2 Pole	DN-2JM10	100 <-->	DN-2JM10***	100 <-->	
	/ 3 Pole	DN-3JM10	100 <-->	DN-3JM10***	100 <-->	
	/ 4 Pole	DN-4JM10	100 <-->	DN-4JM10***	100 <-->	
/ Multi-pole	DN-82JM10 82 pole	1 <-->	DN-82JM10*** 82 pole	1 <-->		
Marking Tags	DN-L or DN-LT series			500/100		various
Angled Support Bracket	DN-ASB1			50 <-->		
Top Cover	DN-DC10**			100 <-->		
Test Plug, Red	DN-TPR	10 <-->		DN-TPR***	10 <-->	
Test Plug, Black	DN-TPB	10 <-->		DN-TPB***	10 <-->	

* Note: For copper wire only

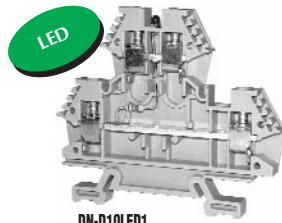
** Does not provide CE compliant protection if using bottom level jumpers.

*** Jumping and testing should be done on bottom level only.

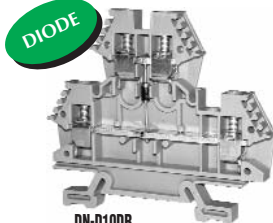


For more information on accessories, see the "DINnectors Accessories" section of this chapter.

Double-level Terminal Blocks



DN-D10LED1
Series: EURO D4



DN-D10DR
Series: EURO D4

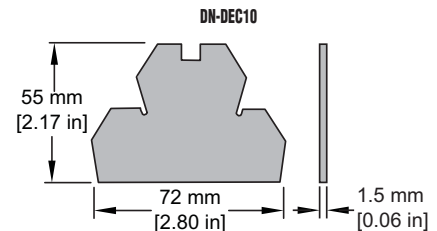
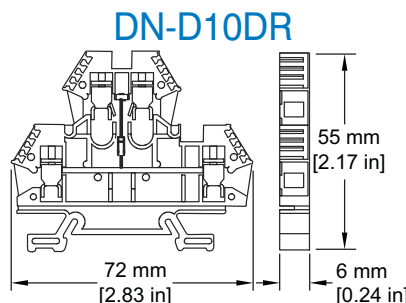
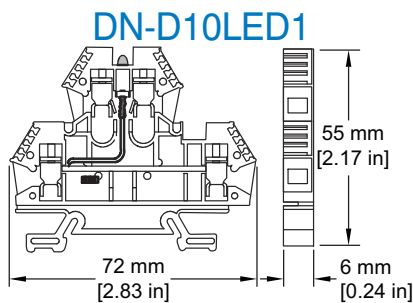
	Part #	Pcs/Pkg	Price/Pkg	Part #	Pcs/Pkg	Price/Pkg
Gray Term Block	DN-D10LED1**	10	<-->	DN-D10DR**	50	<-->
Double-level Terminal Blocks Specifications						
UL Approval*	600V	30A	24-10 AWG	600V	1A (Diode)	24-10 AWG
CSA Approval	600V	25A	18-12 AWG	600V	1A (Diode)	18-10 AWG
VDE Approval	750V	35A	4mm ²	750V	1A (Diode)	4mm ²
CE Conformity	CE 23/20, CE 23/21			CE 23/20, CE 23/21		
Agency File #	E179129, LR84816			E179129, LR84816		
Wire Strip Length	0.39" (10mm)			0.39" (10mm)		
Tightening Torque	5.5 lb-in. (0.6Nm)			5.5 lb-in. (0.6Nm)		
Density	50 pcs./ft. (166/m)			50 pcs./ft. (166/m)		
Operating Temperature	Ambient air temperature: -13°F to 104°F (-25°C to 40°C) Relative humidity: 50% max at 104°F (40°C); 90% max at 68°F (20°C)					
LED Voltage	12 - 24V AC /DC. 3.4 kΩ			-		

Accessories						
	Part #	Pcs/Pkg	Price/Pkg	Part #	Pcs/Pkg	Price/Pkg
35 mm DIN Rail	ADC Part No. DN-R35S1 (7.5 mm) or DN-R35HS1 (15 mm)				10	various
End Bracket	DN-EB35				50	<-->
	DN-EB35MN				20	<-->
	DN-EB35-A				50	<-->
	DN-QEB35				50	<-->
End Cover	DN-DEC10				50	<-->
Jumpers / 2 Pole	DN-2JM10**				100	<-->
	DN-3JM10**				100	<-->
	DN-4JM10**				100	<-->
	DN-82JM10** (82 pole)				1	<-->
Marking Tags	DN-L or DN-LT series				500/100	various
Angled Support Bracket	DN-ASB1				50	<-->
Top Cover	DN-DC10				100	<-->
Test Plug, Red	DN-TPR**				10	<-->
Test Plug, Black	DN-TPB**				10	<-->

* Note: For copper wire only

**Jumpering and testing should be done on bottom level only!

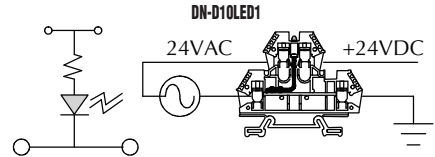
For more information on accessories, see the "DINnectors Accessories" section of this chapter.



LED terminal blocks

These terminal blocks provide built-in LED indicators. The LED illuminates when voltage is present. The LED1 version is for 24V AC/DC circuits, and includes current-limiting elements.

Note: Wire only one supply.



Diode terminal blocks

Typically, an inductive load produces a spike (neg.-going) when it is turned off. These terminal blocks with built-in clamping diodes help protect your PLC's output circuits. The circuit below shows the normal voltages to the load (during on state).

