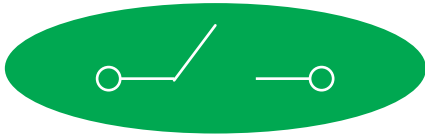
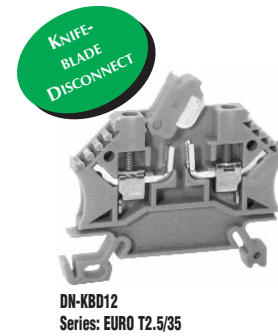


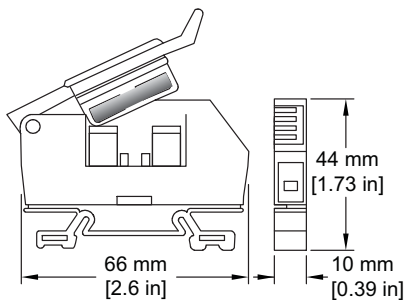
Disconnect Terminal Blocks



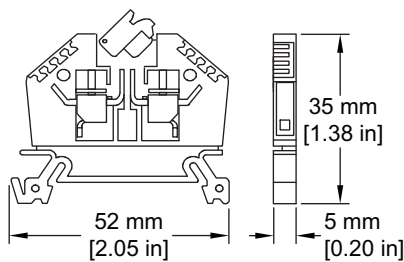
Both the DN-DIS10 and the DN-KBD12 allow fast circuit disconnection without rewiring. The DN-DIS10 is supplied with a copper disconnect bar installed in the fuse holder. The DN-KBD12 offers circuit disconnection capability by means of a pivoting, insulated “knife blade”.



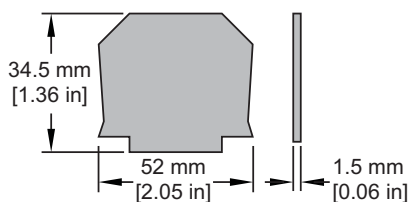
DN-DIS10



DN-KBD12



DN-ECKBD



	Part #	Pcs/Pkg	Price/Pkg	Part #	Pcs/Pkg	Price/Pkg
Gray Disconnect Block	DN-DIS10	50	<--->	DN-KBD12	50	<--->
Disconnect Terminal Blocks Specifications						
UL Approval*	300V	30A	24-10AWG	600V	20A	22-12AWG
CSA Approval	300V	25A	18-12 AWG	600V	16A	18-12AWG
VDE Approval	500V	25A	4mm ²	600V	16A	2.5mm ²
CE Conformity	CE 23/20, CE 23/21			CE 23/20, CE 23/21		
Agency File#	E179129, LR84816			E179129, LR84816		
Wire Strip Length	0.39" (10mm)			0.39" (10mm)		
Tightening Torque	5.5 lb-in. (0.6Nm)			4.5 lb-in. (0.5Nm)		
Density	30 pcs./ft. (125/m)			60 pcs./ft. (200/m)		
Disconnect Type	Copper bar			Copper blade		
Operating Temperature	Ambient air temperature: -13°F to 104°F (-25°C to 40°C) Relative humidity: 50% max at 104°F (40°C); 90% max at 68°F (20°C)					

Accessories						
	Part #	Pcs/Pkg	Price/Pkg	Part #	Pcs/Pkg	Price/Pkg
35 mm DIN Rail	ADC Part No. DN-R35S1 (7.5 mm) or DN-R35HS1 (15 mm)			10 various		
End Bracket	DN-EB35			50 <--->		
	DN-EB35MN			20 <--->		
	DN-EB35-A			50 <--->		
	DN-QEB35			50 <--->		
End Cover	Included	-	-	DN-ECKBD	100	<--->
Marking Tags	DN-L/DN-LT series	500/100	various	DN-LA /DN-LT series	500/100	various
Angled Support Bracket	DN-ASB1			50 <--->		
<i>*Note: For copper wire only</i>						

For more information on accessories, see the “DINnectors Accessories” section of this chapter.