

Thermocouple Terminal Blocks



DN-THERM1 (open) – Series: EURO TC - 50 Volt
 DN-THERM2 (open) – Series: EURO TC - 300 Volt
 DN-THERMx (shown closed)

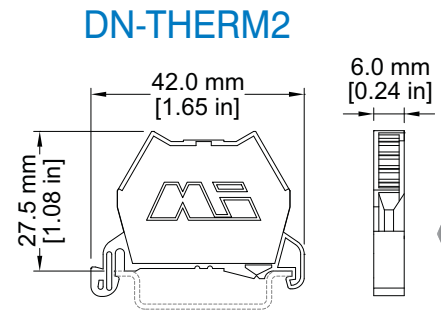
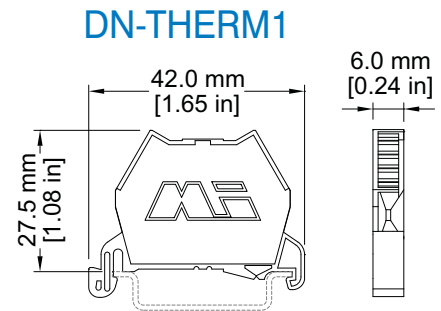
	Part #	Pcs/Pkg	Price/Pkg	Part #	Pcs/Pkg	Price/Pkg
Gray Term Block	DN-THERM1	50	<--->	DN-THERM2	50	<--->
Thermocouple Terminal Blocks Specifications						
UL Approval	50V AC/DC	—*	30–20 AWG	300V	10A	20–16 AWG
Agency File #	E179129					
Wire Strip Length	0.79 in (20 mm)					
Tightening Torque	0.875 lb-in (0.099 N-m)					
Operating Temperature	Ambient air temperature: -13°F to 104°F (-25°C to 40°C) Relative humidity: 50% max at 104°F (40°C); 90% max at 68°F (20°C)					
* DN-THERM1 – no assigned amp rating; intended for use with thermocouple wires only						

Accessories						
	Part #	Pcs/Pkg	Price/Pkg	Part #	Pcs/Pkg	Price/Pkg
End Bracket	DN-EB35				50	<--->
	DN-EB35MN				20	<--->
	DN-EB35-A				50	<--->
	DN-QEB35				50	<--->
End Cover	included					
Marking Tags	DN-LAB or DN-LT series				500/100	various
Angled Support Bracket	DN-ASB1				50	<--->
35 mm DIN Rail	DN-R35S1 (7.5 mm) or DN-R35HS1 (15 mm)				10	various

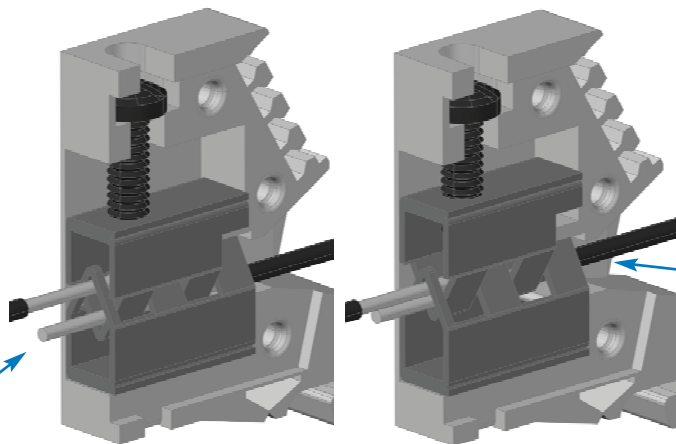
Thermocouple terminal blocks are designed with only one screw clamp to provide suitable connections to thermocouple sensors.

The DN-THERM1 and DN-THERM2 clamping yoke terminal blocks have been designed to accept any type of thermocouple lead connection within their rated wire size ranges. The thermocouple leads are simply stripped of their insulation to 20 mm (0.79”), and then inserted into the terminal block where the two wires overlap.

The leads are clamped together on both sides of the terminal block resulting in an excellent electrical connection to the thermocouple without the need for any other compensation metals/contacts.



DN-THERMx operation



Clamping Yoke

Overlap of thermocouple wires allow for universal connections.

For more information on accessories, see the “DINnectors Accessories” section of this chapter.

- Company Info.
- PLCs
- Field I/O
- Software
- C-more & other HMI
- AC Drives
- AC Motors
- Power Transmiss.
- Steppers/ Servos
- Motor Controls
- Proximity Sensors
- Photo Sensors
- Limit Switches
- Encoders
- Current Sensors
- Pressure Sensors
- Temp. Sensors
- Pushbuttons/ Lights
- Process
- Relays/ Timers
- Comm.
- Terminal Blocks & Wiring**
- Power
- Circuit Protection
- Enclosures
- Tools
- Pnuematics
- Appendix
- Part Index