

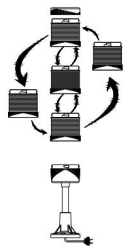
English



website:www.ema-electronic.com

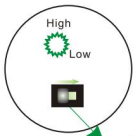
Each light element can be changed at one's choice

Thanks to the modular design, each light element can be mounted or replaced by user easily. Please refer to the sketch hereunder.



Buzzer

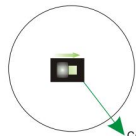
Switchable continuous/intermittent buzzer and adjustable volume. Up to 100-120dB at a distance of 1 meter is more helpful for operators even in a noisy environment. The frequency of buzzer is 60-80beeps per minute.



Continuous/Intermittent Switch

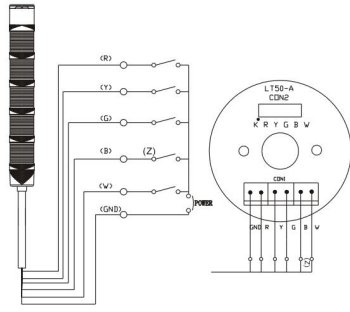
Switchable continuous/flashing LEDs

Flashing light module can be switched by user manually to increase its agility and reduce your inventory.

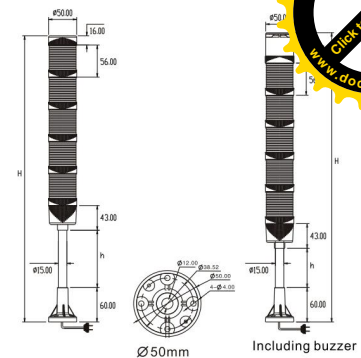


Continuous/Flashing Switch

Electricity Connection

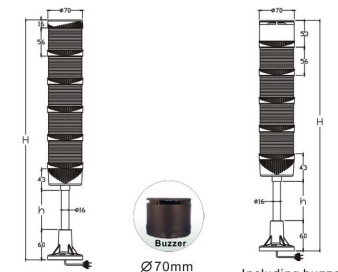


Outline drawing



Ø50mm

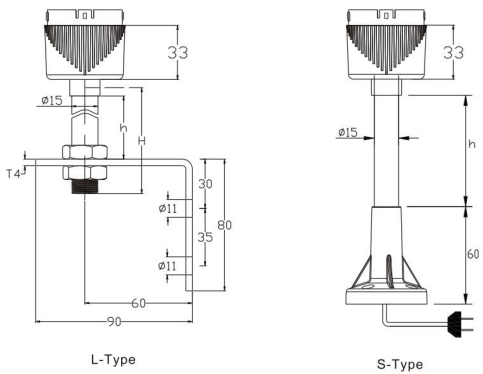
Including buzzer



Ø70mm

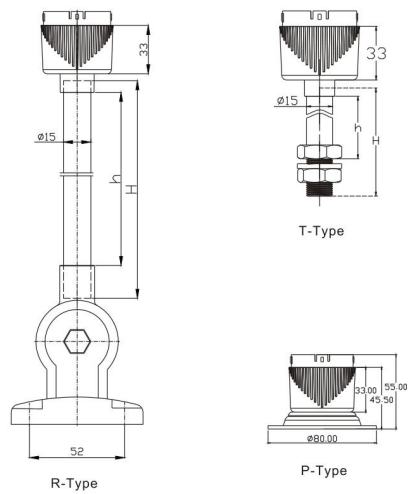
Including buzzer

Mounting dimension drawing



L-Type

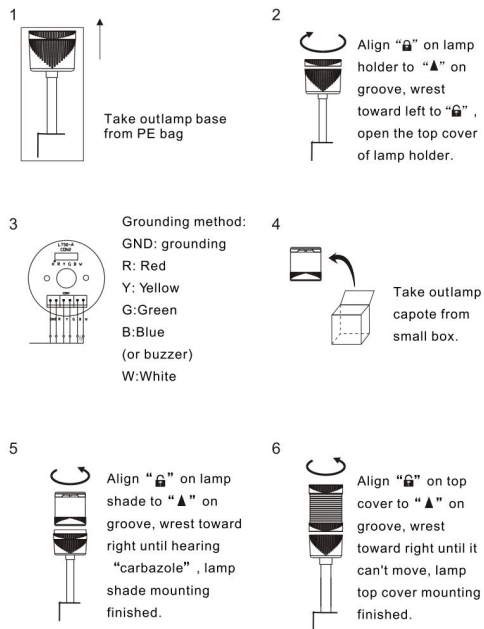
S-Type



R-Type

P-Type

Specific mounting steps



Data Sheet Description

- *Long life time, brightness LEDs embedded
- *Modular design for installation without tools easy
- *Patent design for advancing brightness and easy installation
- *Good looking and well practical stand
- *The frequency of buzzer is 60-80 beeps per minute
- *Up to 120dB at a distance of 1M
- *Material: Dome-PC, lamp holder-ABS, Tube-AL
- *Materials in protection of corrosive
- *Confirmative to CE
- *Meets EEC RoHS Directive
- *Protection rating: IP54 and IP65